

*Technical Datasheet****Application***

A non-demountable hold down clip. For use on main Tee Grid for holding down various board thicknesses

***Technical Details***

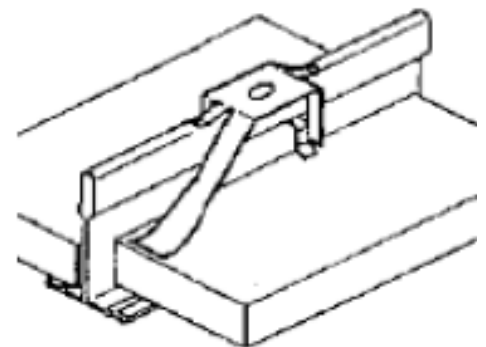
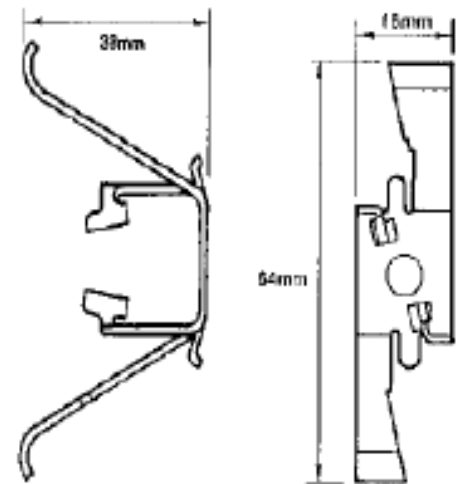
**Material** Cold Rolled Spring Steel  
To EN 10132-4:2000

**Thickness** 0.425mm

**Austemper:** VPN 480/580

**Available Surface Finishes:**

- Oiled
- Phosphate : EN12476

***Health & Safety***

As with all metal products, there is a risk from sharp corners or edges. Appropriate PPE should be used. Repeated contact with metal coatings may cause skin irritation.



**Arthur Hough & Sons Limited**  
Hilton Cross Business Park, Cannock Road  
Featherstone, Wolverhampton WV10 7QZ  
Tel: 01902 867717 Fax: 01902 867719

Email: [mail@ahough.com](mailto:mail@ahough.com) Website: [www.ahough.com](http://www.ahough.com)

